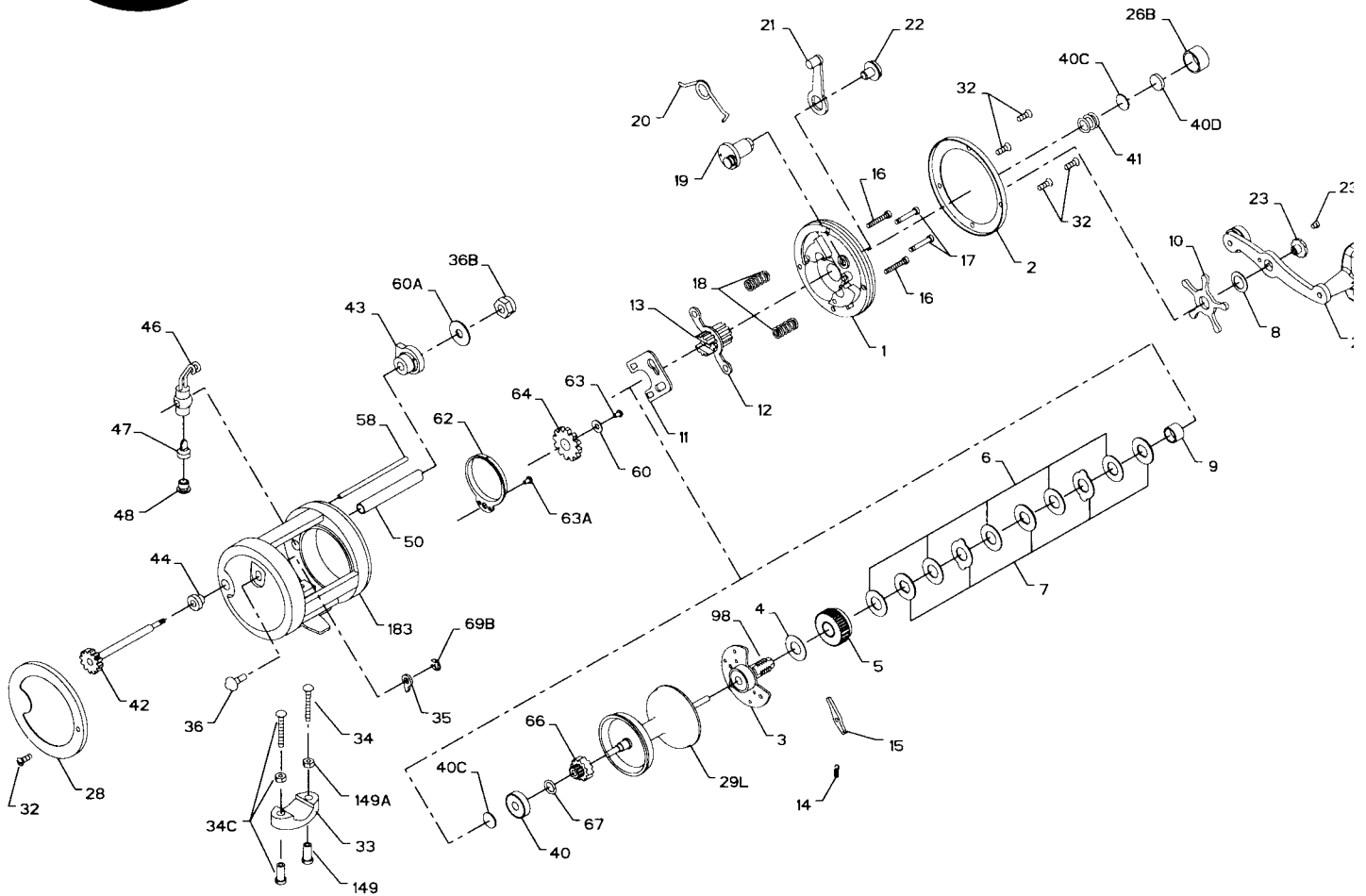




PARTS AND PRICE LIST FOR MODEL 320GTi LEVEL WIND



Key No.	Part No.	Description	Price	Key No.	Part No.	Description	Price
1	1-320	Right Side Plate	\$8.10	34	34-45	Clamp Screw Only	\$.90
2	2-320	Right Side Ring	5.65	34C	34C-45	Clamp Screw w/Nuts	2.25
3	3-320	Bridge Assembly	21.00	35	35-320	Click Tongue	1.10
4	4-349	Fiber Washer	.40	36	36-320	Click Button	.95
5	5-320	Main Gear	6.00	36B	36-700	Worm Shaft Nut	.80
6	6-320	Friction Drag Washer (5 req.)	1.05	40	40-320	Ball Bearing	10.60
7	7C-970	Metal Drag Washer (Set of 5)	3.70	40C	40C-320	Metal Thrust Washer (2 req.)	.40
8	8-349	Tension Spring	.90	40D	40D-320	Rubber Thrust Washer	.40
9	9-320	Spacing Sleeve	1.90	41	41-330	Right Side Thrust Spring	.45
10	10-349	Star Drag	4.40	42	42-320N	Worm	4.40
11	11-320	Eccentric Jack	1.25	43	43-320	Right Side Worm Bearing	1.05
12	12-155	Pinion Yoke	.90	44	44-320	Left Side Worm Bearing	1.05
13	13-320	Pinion Gear	3.10	46	46-320N	Line Guide Carriage	4.45
14	14-330	Dog Spring	.45	47	47-320	Pawl	1.35
15	15-320	Dog	1.00	48	48-330N	Pawl Cover Screw	.95
16	16-113H	Lower Bridge Screw (2 req.)	.40	50	50-320	Worm Shield	1.90
17	17-113H	Upper Bridge Screw (2 req.)	.40	58	58-320	Line Guide Post	1.50
18	18-60	Clutch Spring (2 req.)	.40	60	60-320	Idler Gear Washer	.40
19	19-320	Eccentric Cam	1.75	60A	60-320	Idler Gear Washer	.40
20	20-155	Eccentric Spring	.40	62	62M-209	Click Spring	1.50
21	21-285	Eccentric Lever Assembly	1.50	63	63-500S	Idler Gear Screw	.80
22	22-60	Eccentric Screw	.50	63A	63-330	Click Spring Screw	.80
23	23-114	Handle Assembly Screw	2.65	64	64-320	Idler Gear	1.15
23A	110-60	Handle Lock Screw	.40	66	66-320	Spool Gear Click Ratchet	1.60
24	24-320	Handle Assembly	8.50	67	67-9	Spool Gear Lock Ring	.40
26B	26B-320	Spool Tension Control Cap	1.75	69B	69B-600	Retaining Ring (Click Button)	.90
28	28-320	Left Side Ring	5.95	98	98-320	Gear Sleeve	5.00
29L	29L-320	Aluminum Spool	12.80	149	149-45	Clamp Nut Only	.90
32	32-17	Side Plate Screw (5 req.)	.40	149A	149-200	Hex Nut Only	.45
33	33-200	Rod Clamp	4.00	183	183-320	Frame	25.70
33R	*33R-200	Ringed Rod Clamp (Optional)	5.65				

*Not Shown